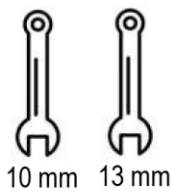
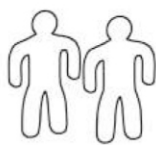


LORENA 160/180

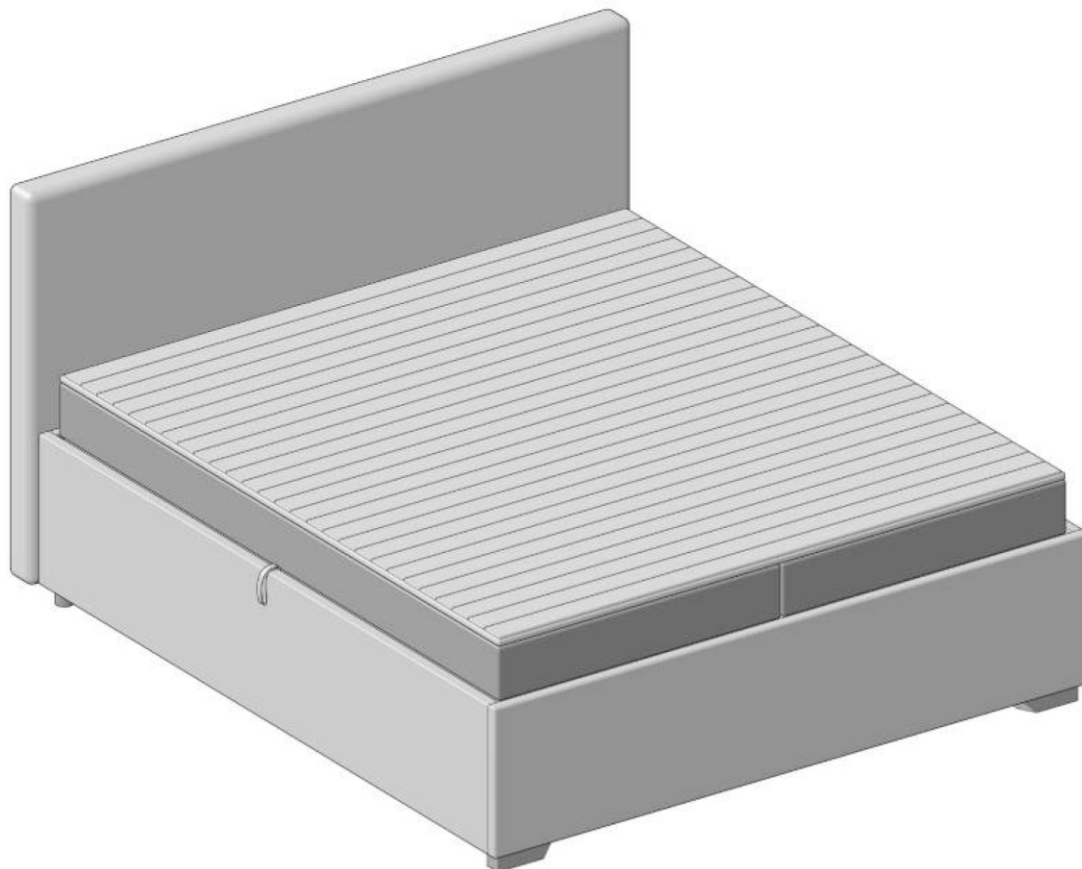
29032022



120 min



10 mm 13 mm



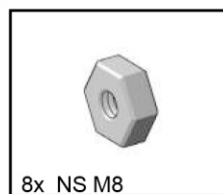
2x PTS 61/B00 L



2x PTS 61/B00 R



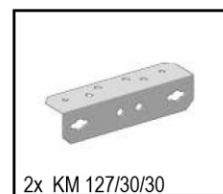
4x SG 800N/245mm



8x NS M8



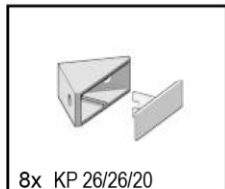
4x KD300/50/50



2x KM 127/30/30



2x ST H50/50



8x KP 26/26/20



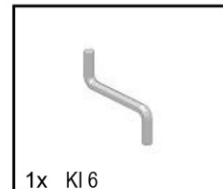
14x WP 4,0x45



8x WZ 4,0x40



20x KF 6,4x50



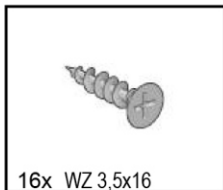
1x KI 6



4x SZ M6x25



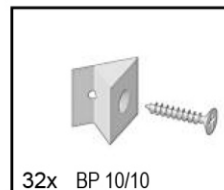
44x SK M6x20



16x WZ 3,5x16



4x KW ø40mm



32x BP 10/10



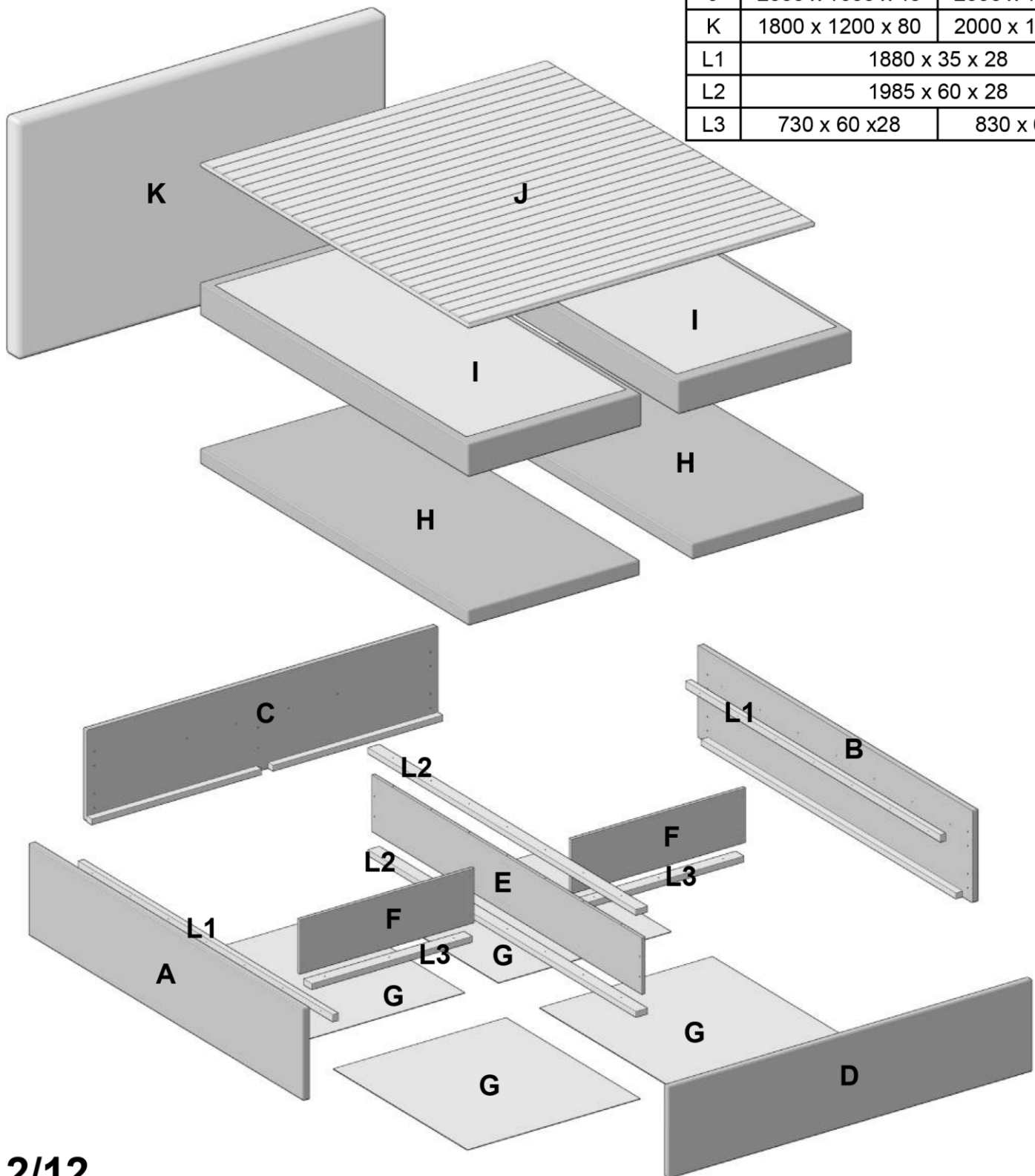
2x ST H60/50

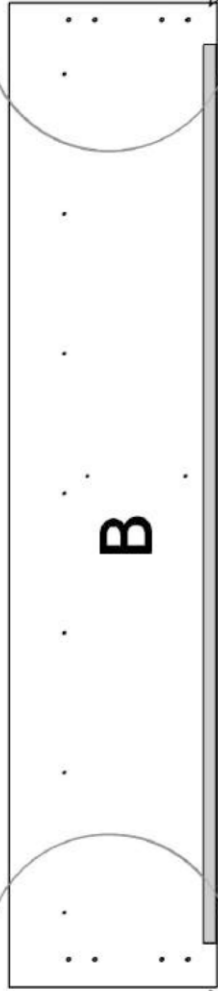
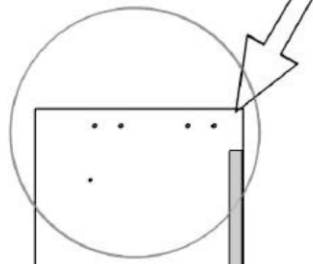
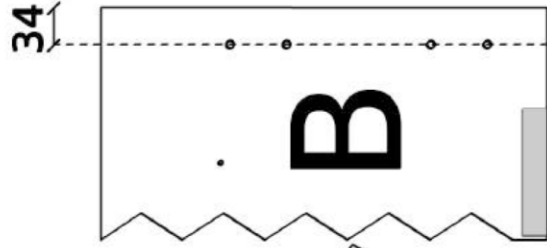
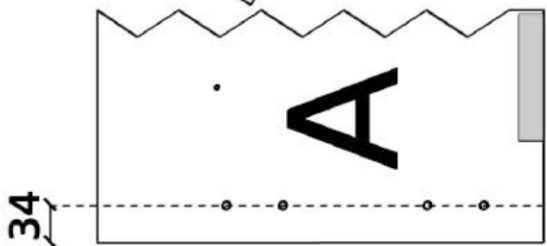
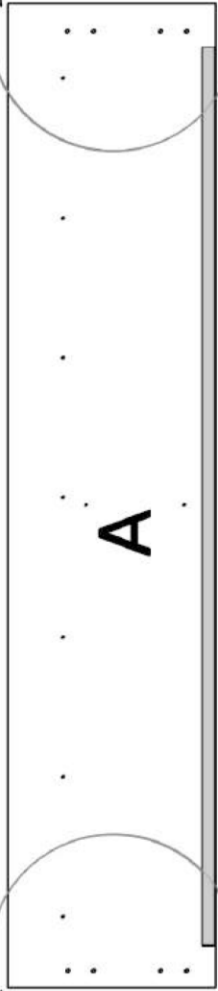
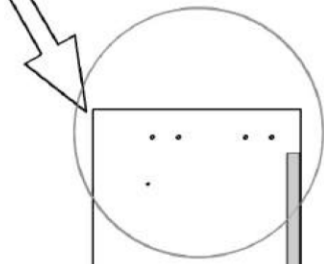
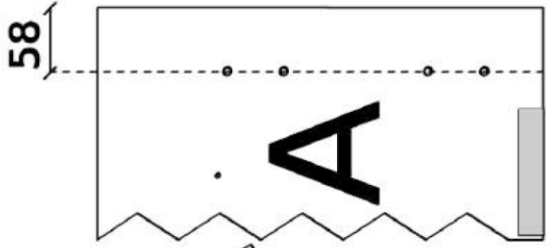
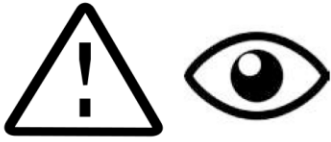


2x SD 170/50/50

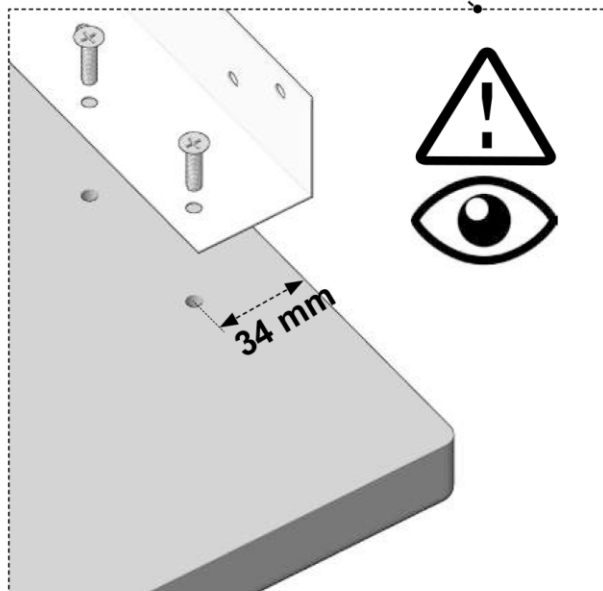
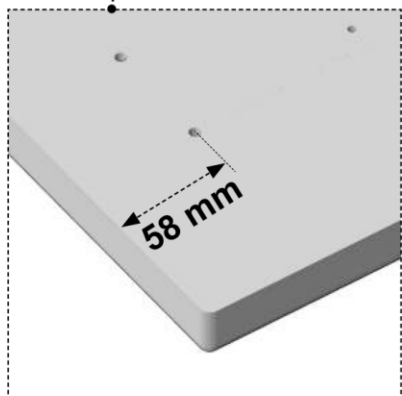
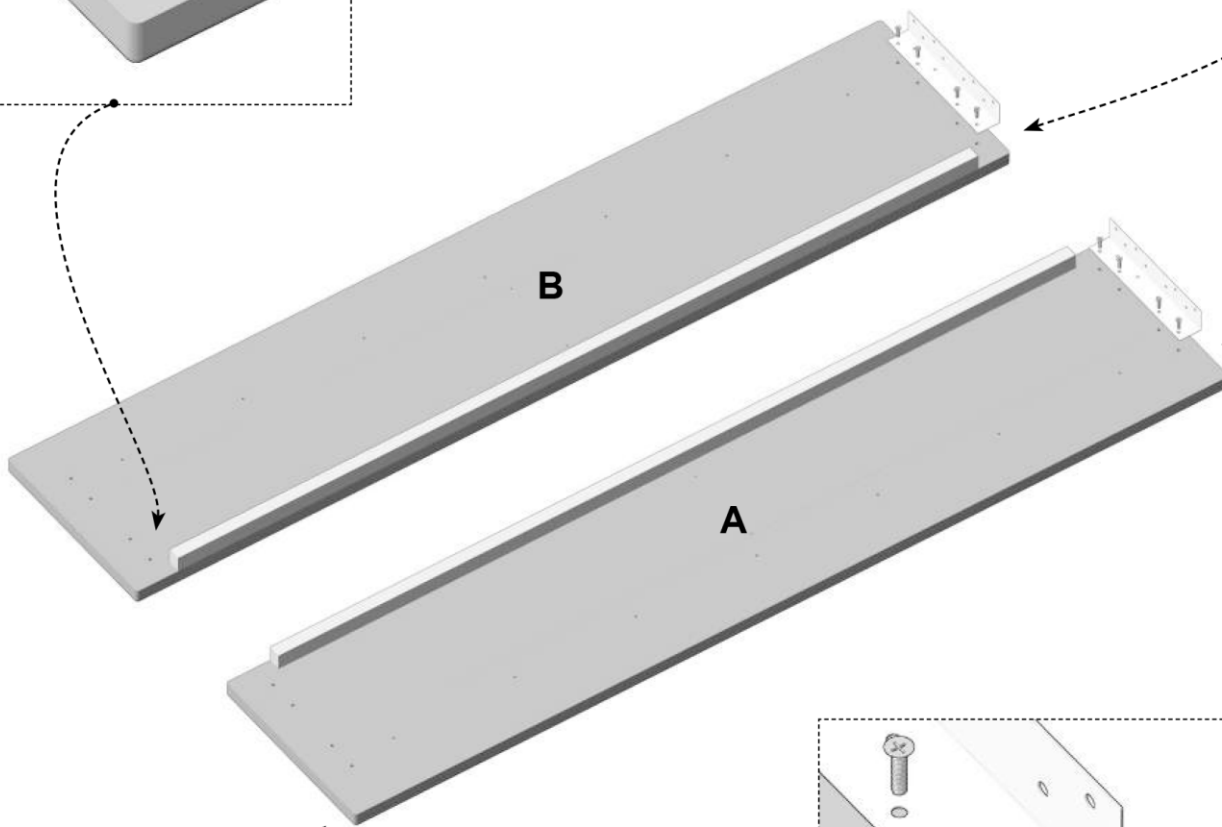
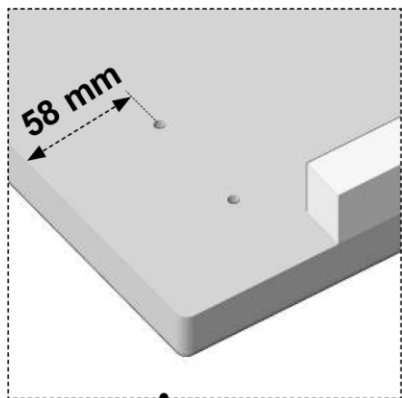
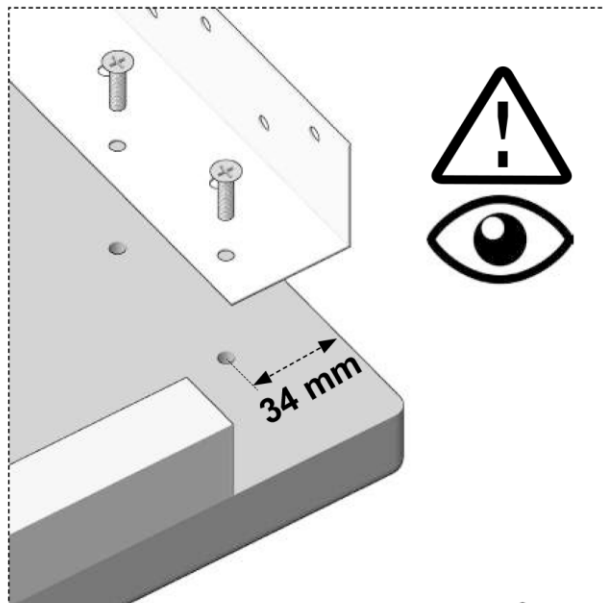
	1xA, 1xB, 2xL1
	1xC, 1xD
	1xE, 2xF, 2xL2, 2xL3
	4xG, 1xK
	2xH
	1xI
	1xI
	1xJ

	160	180
A	2030 x 430 x 35	
B	2030 x 430 x 35	
C	1610 x 430 x 20	1810 x 430 x 20
D	1690 x 430 x 35	1890 x 430 x 35
E	2010 x 265 x 16	
F	800 x 255 x 16	900 x 255 x 16
G	990 x 793 x 3	990 x 893 x 3
H	1985 x 785 x 55	1985 x 885 x 55
I	2000 x 800 x 180	2000 x 900 x 180
J	2000 x 1600 x 45	2000 x 1800 x 45
K	1800 x 1200 x 80	2000 x 1200 x 80
L1	1880 x 35 x 28	
L2	1985 x 60 x 28	
L3	730 x 60 x 28	830 x 60 x 28

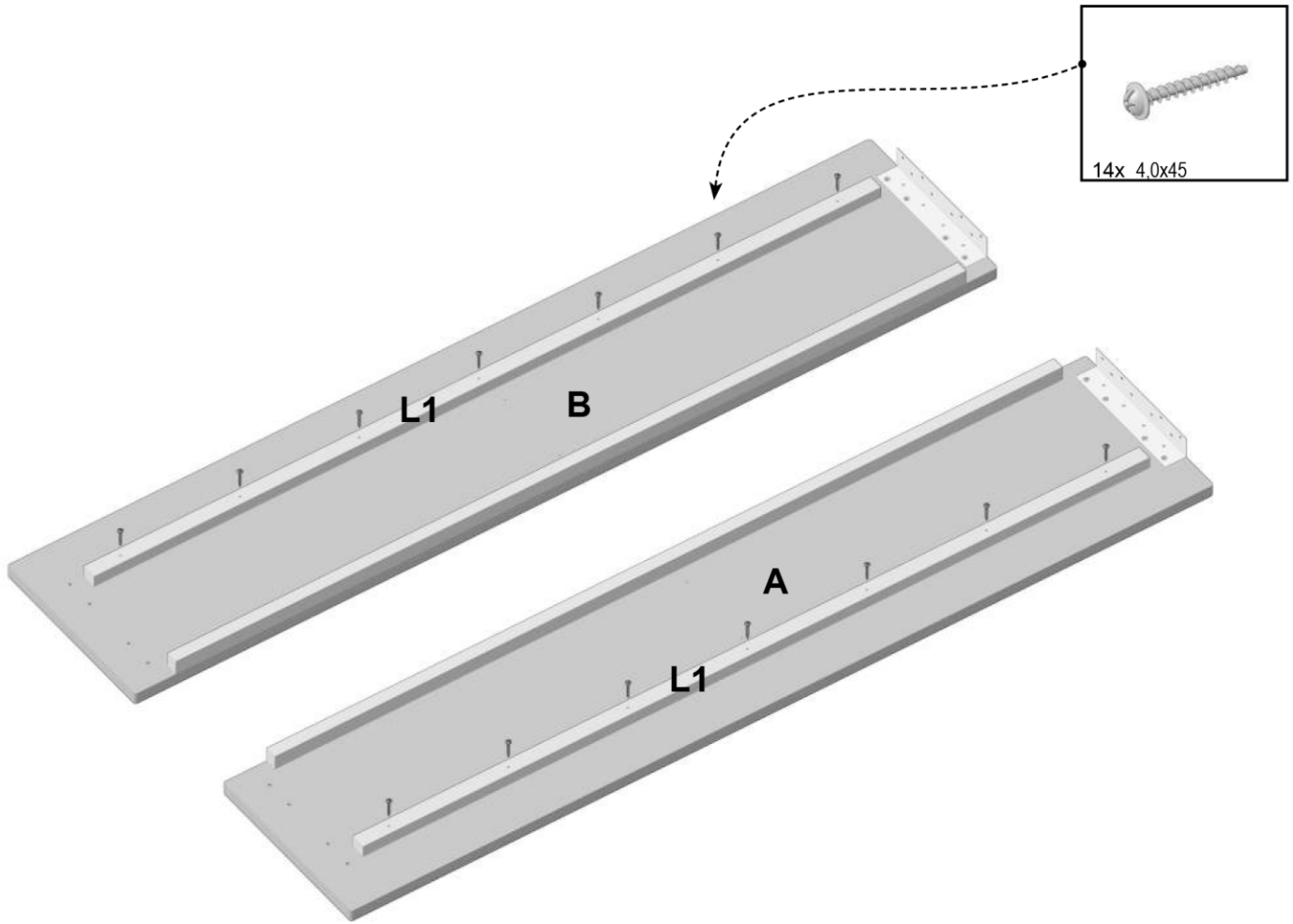




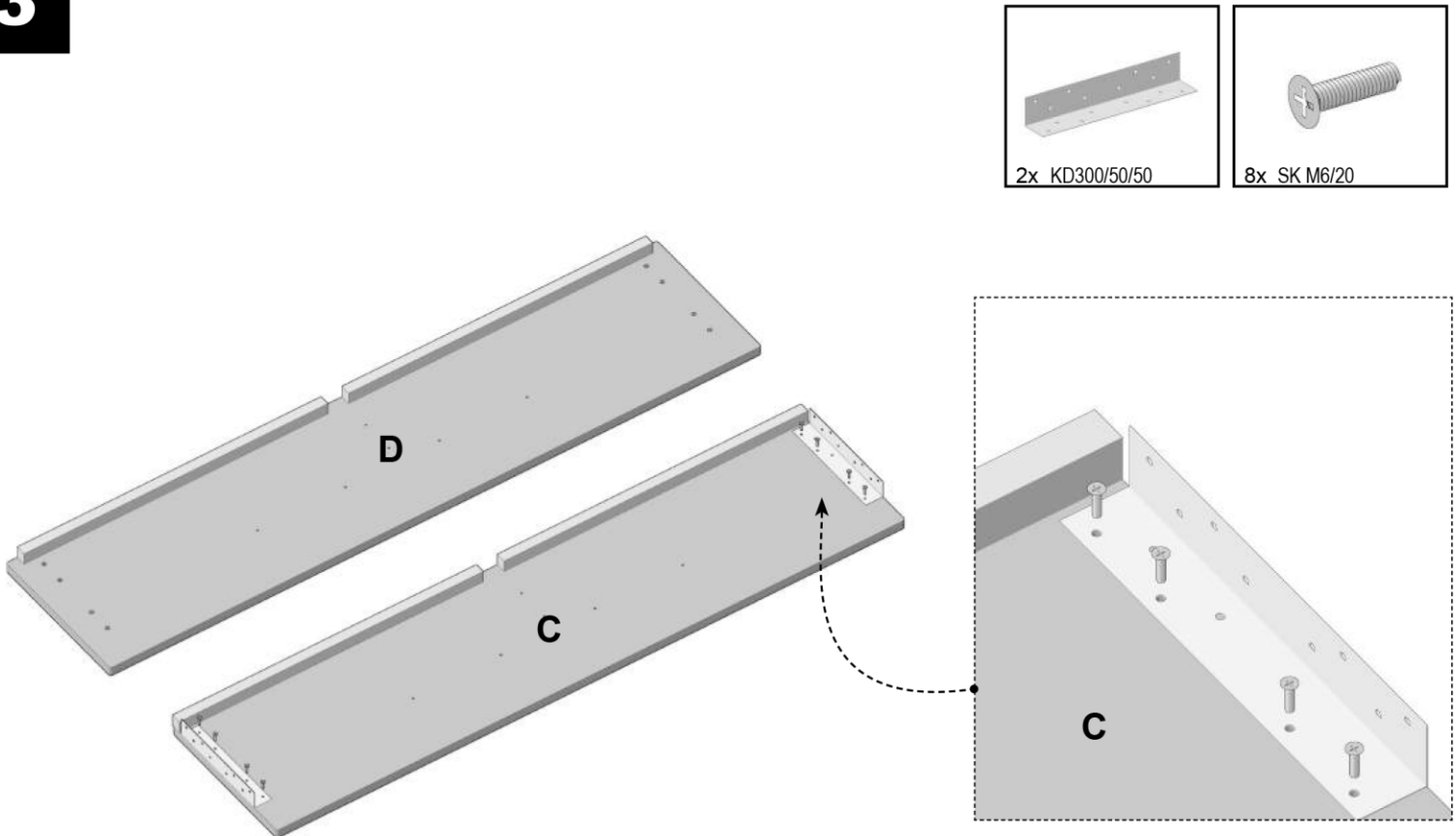
1



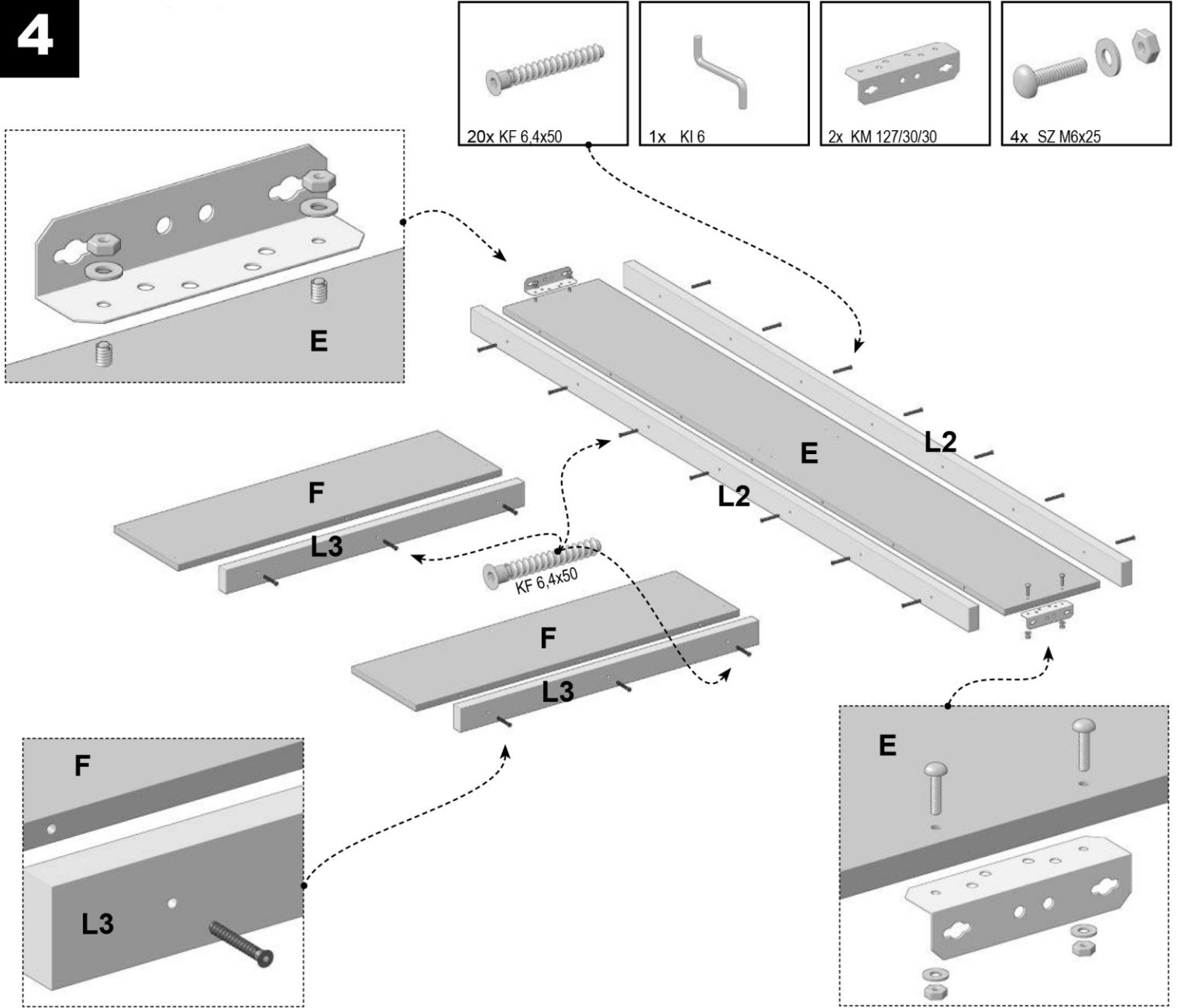
2



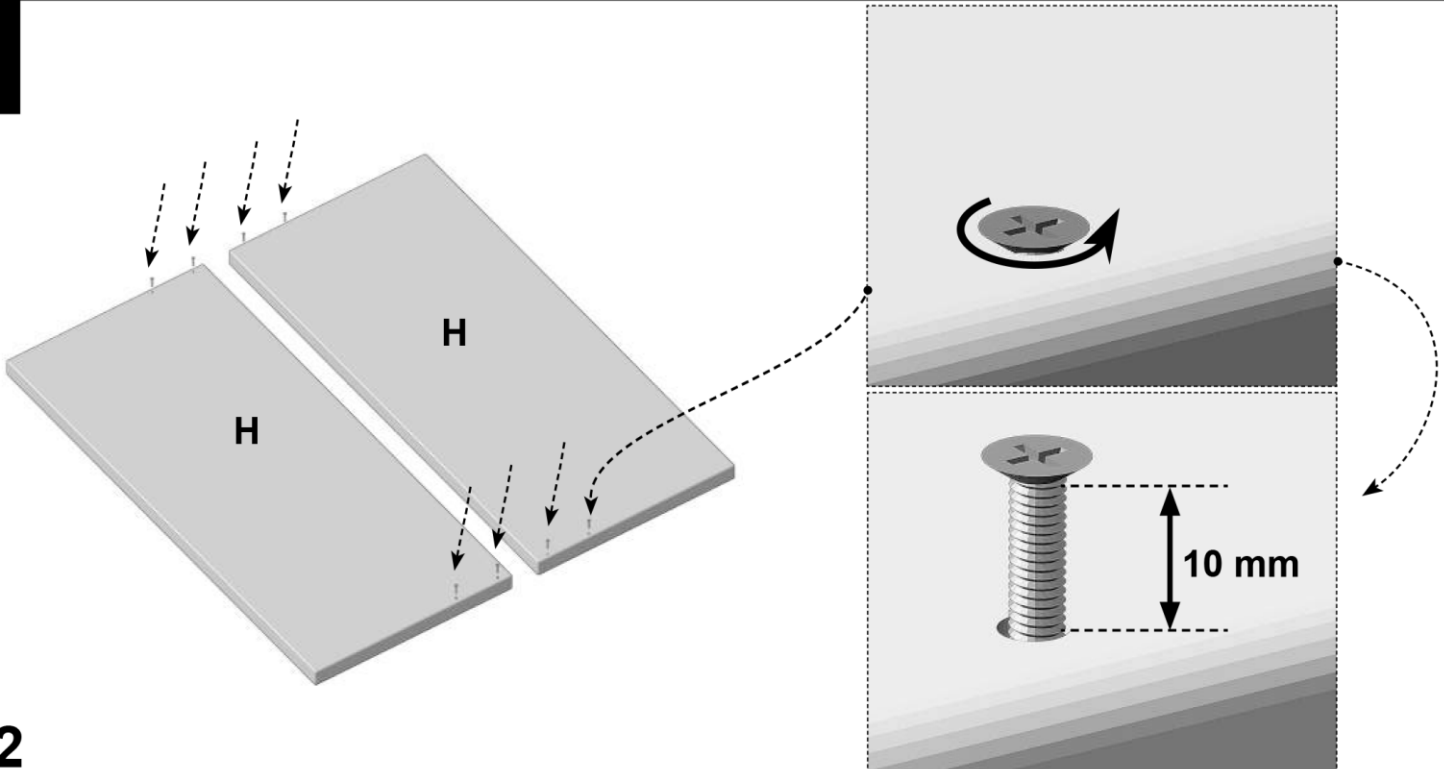
3



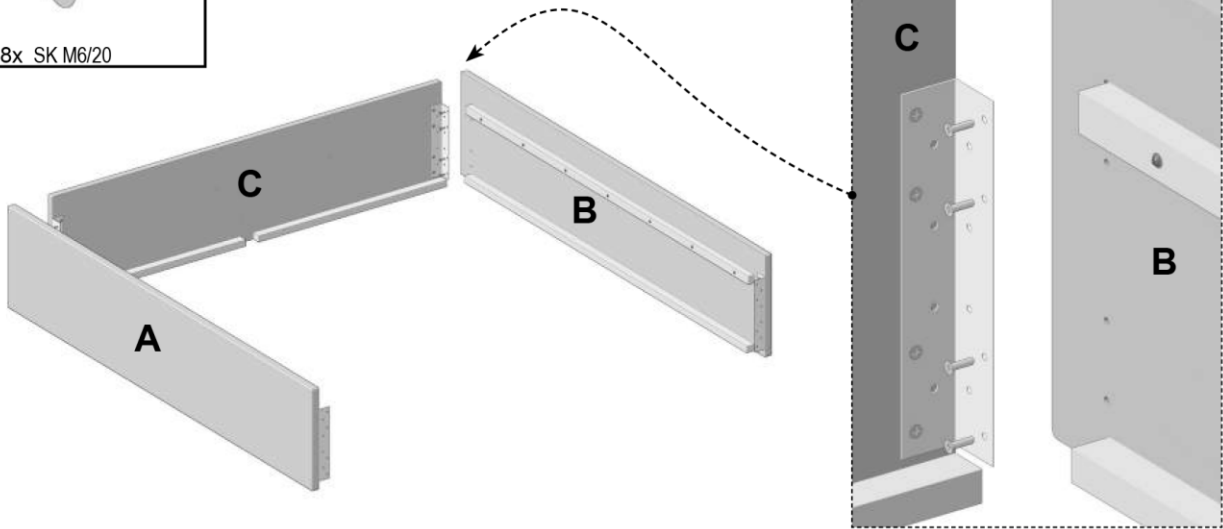
4



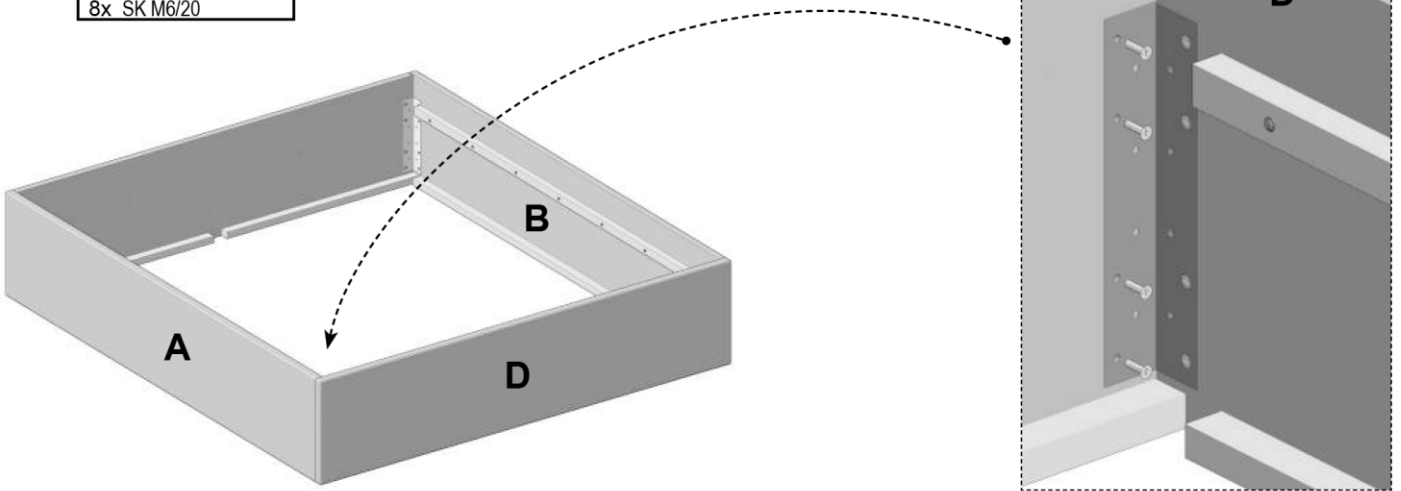
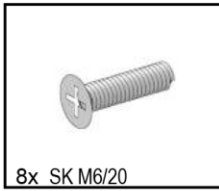
5



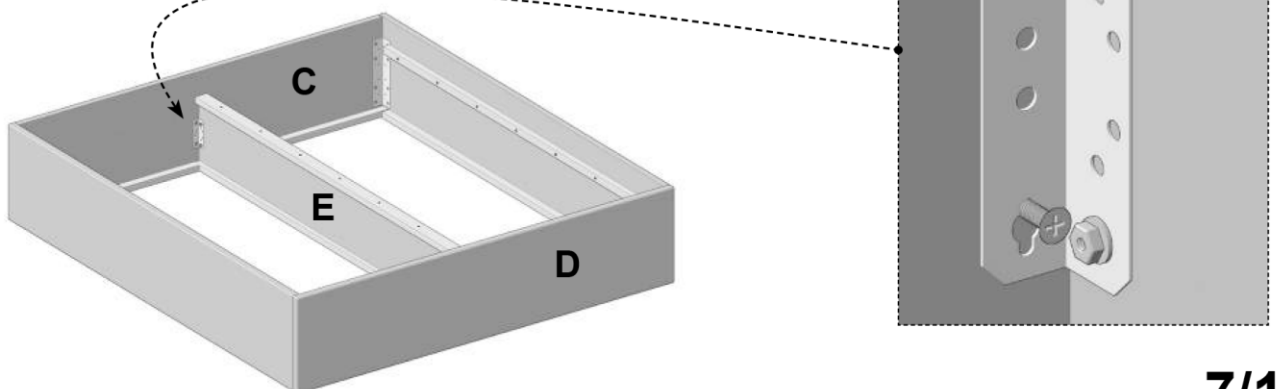
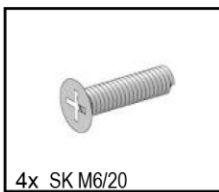
6



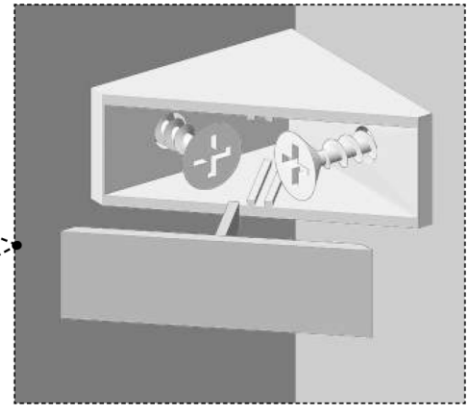
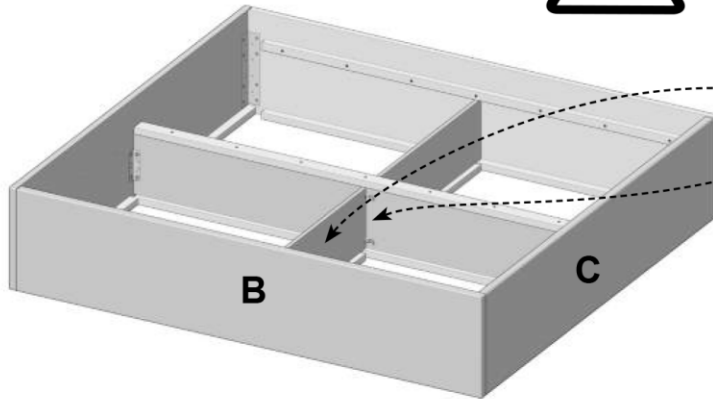
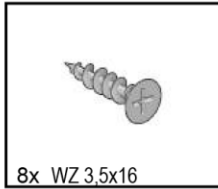
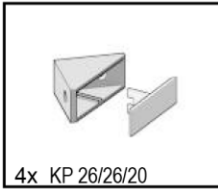
7



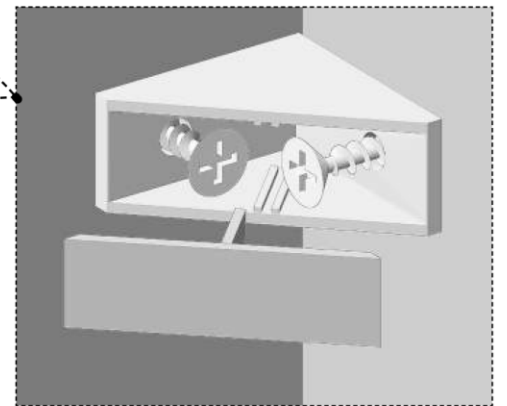
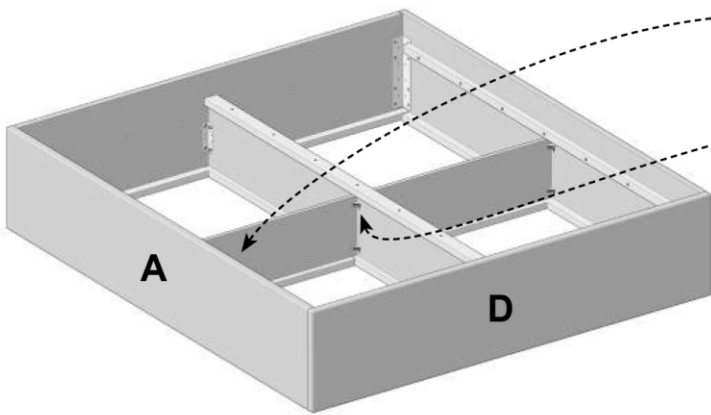
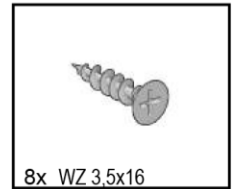
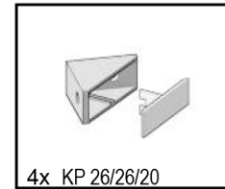
8



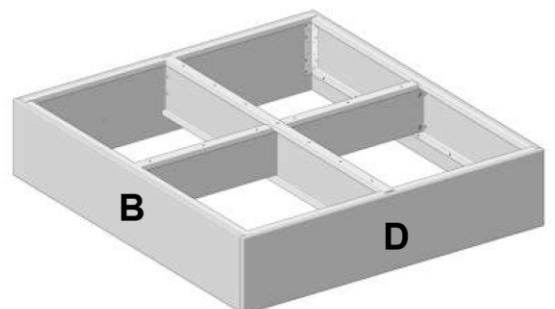
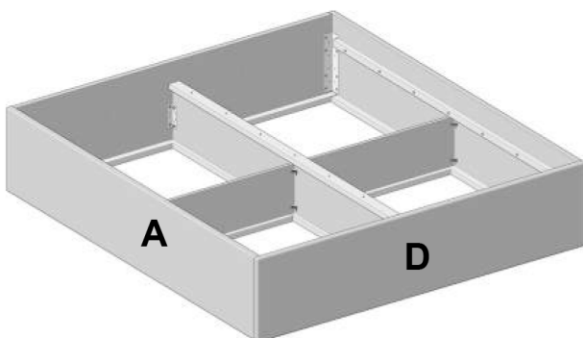
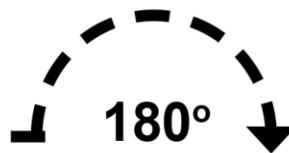
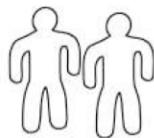
9



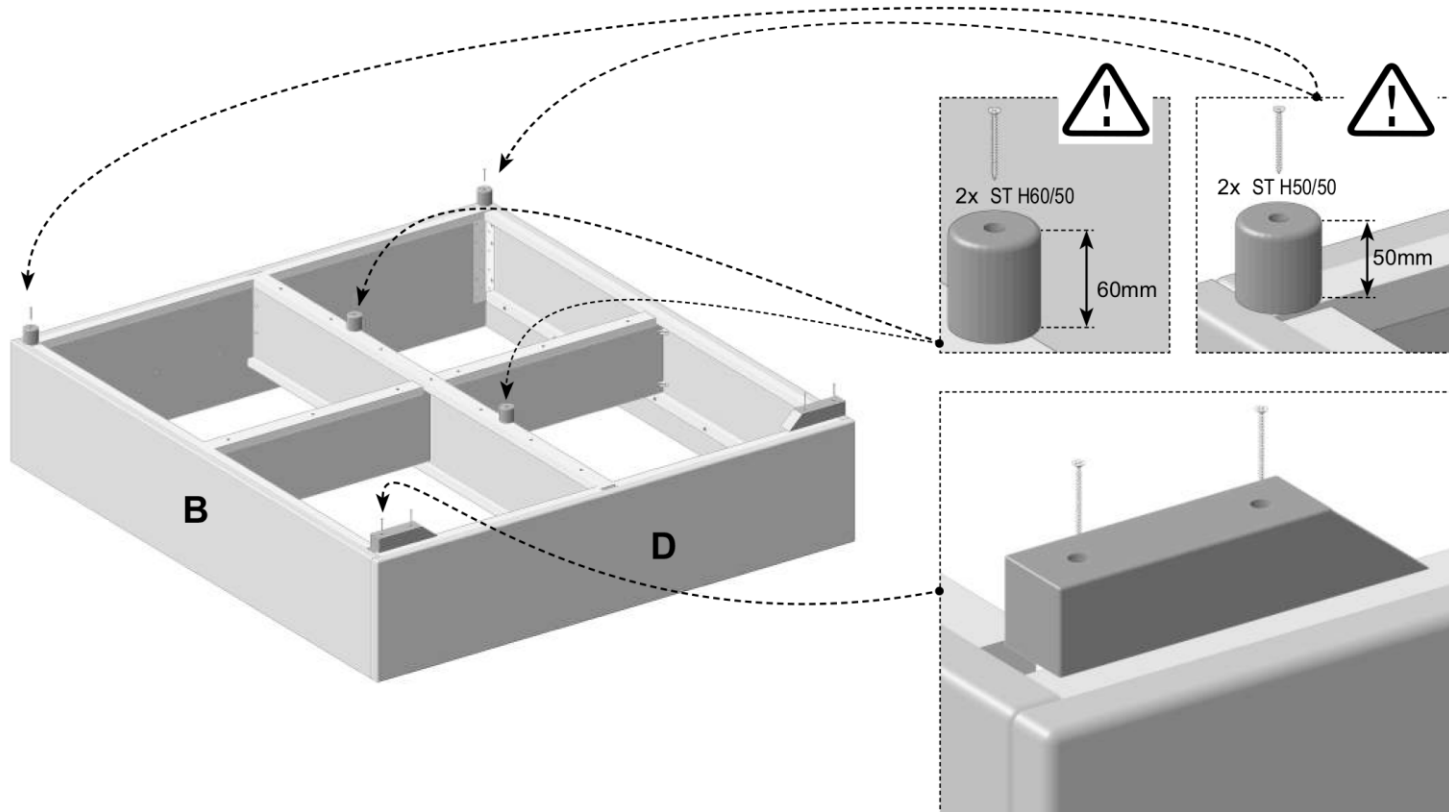
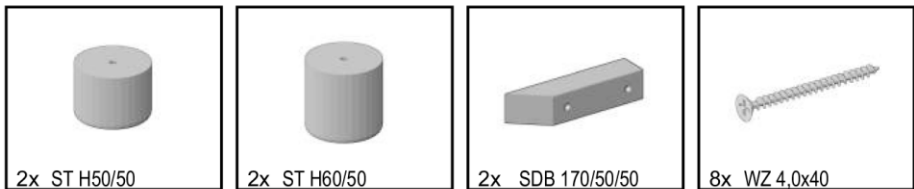
10



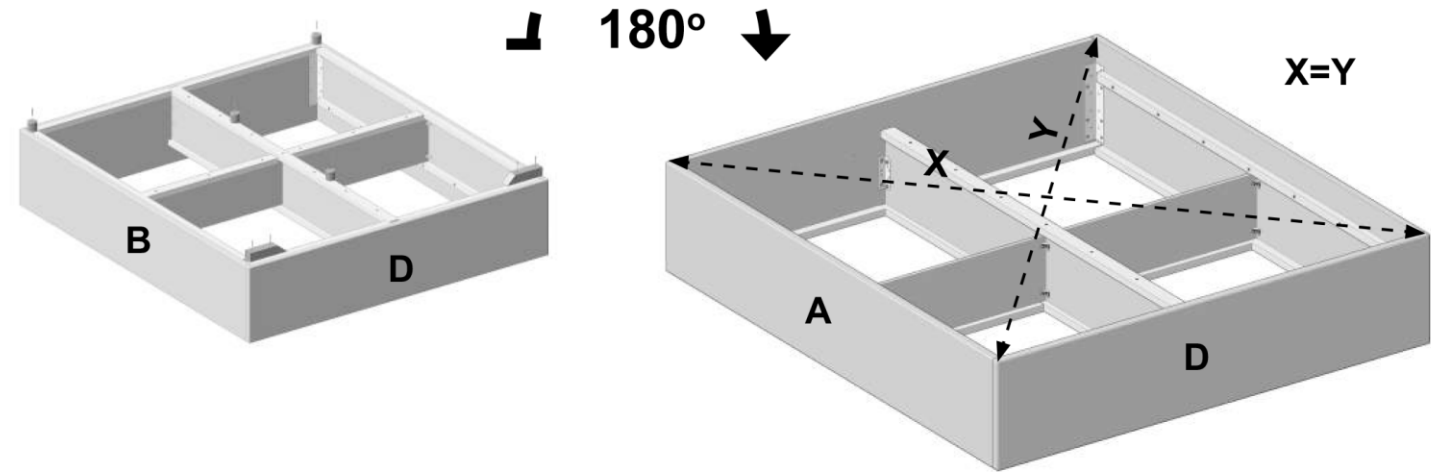
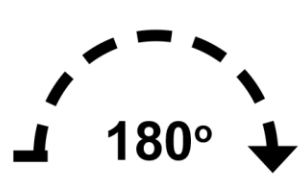
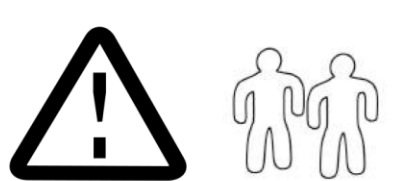
11



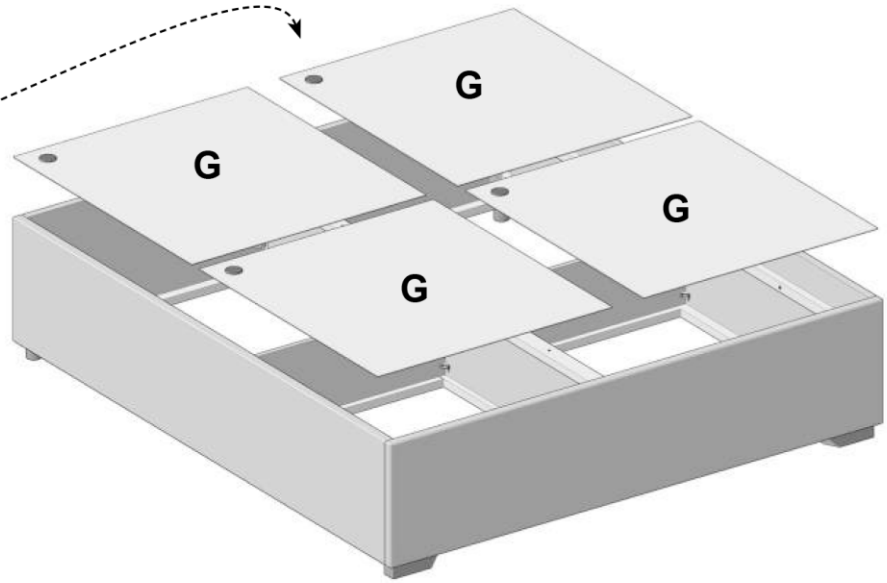
12



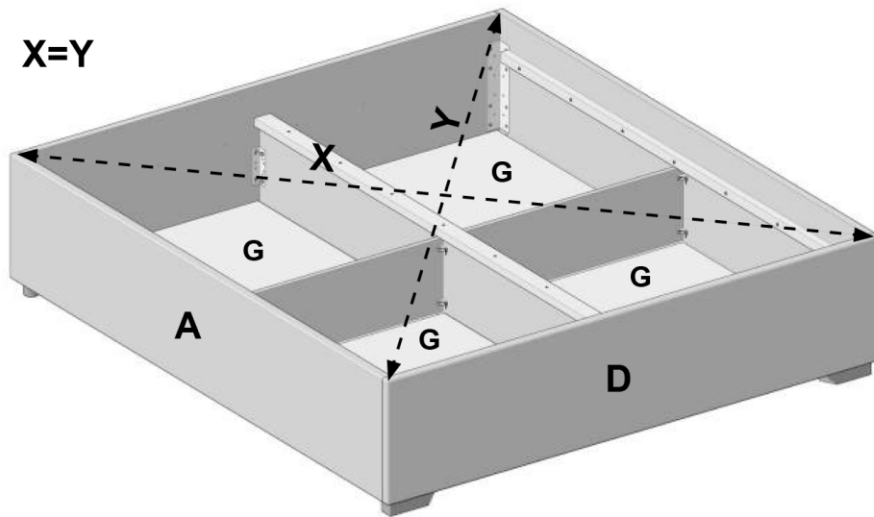
13



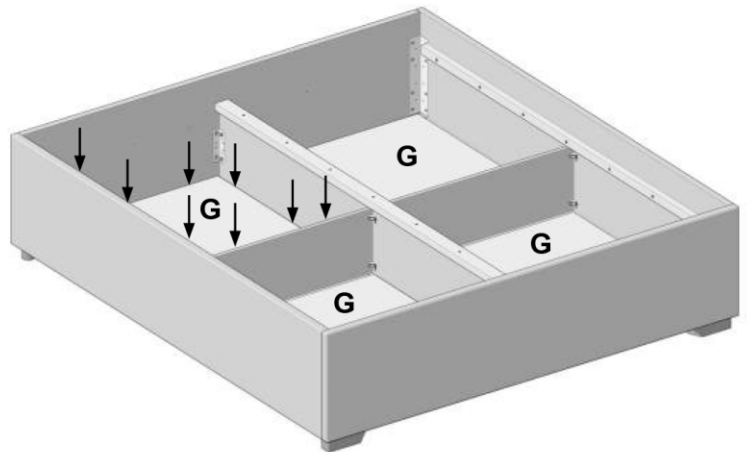
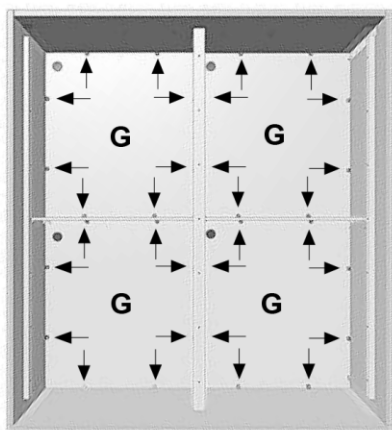
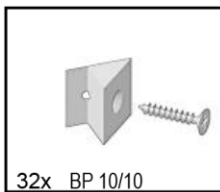
14



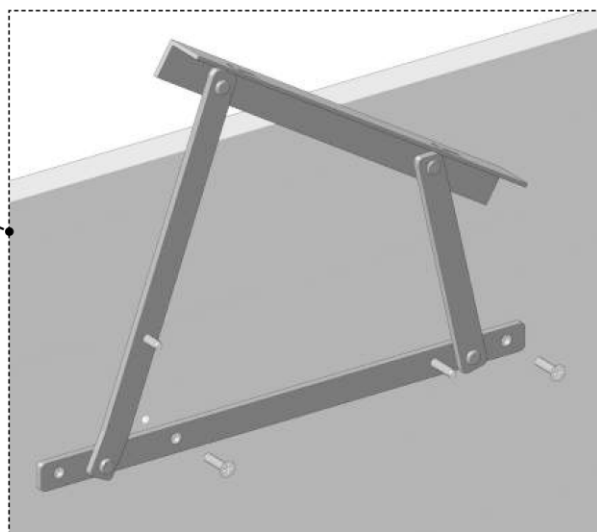
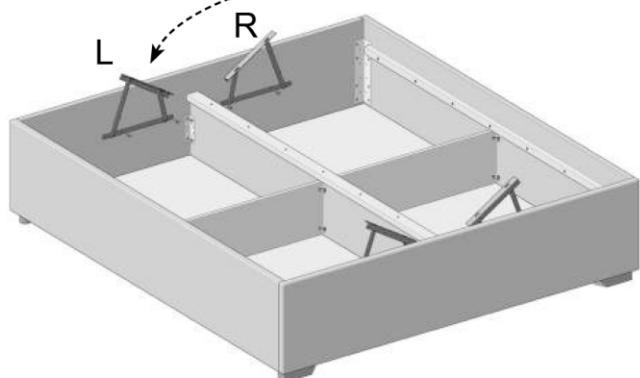
15



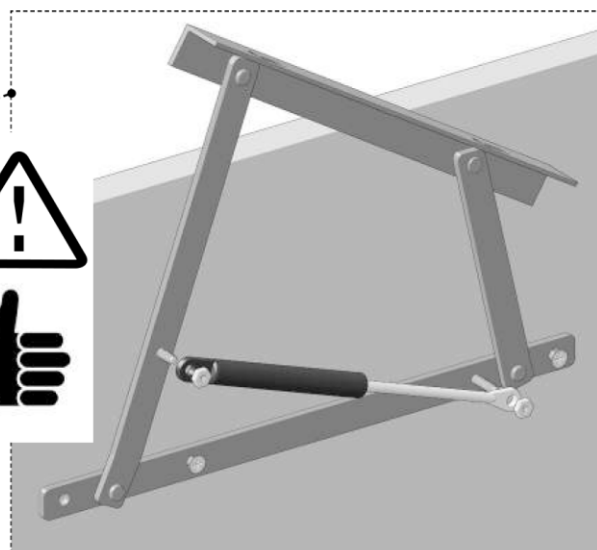
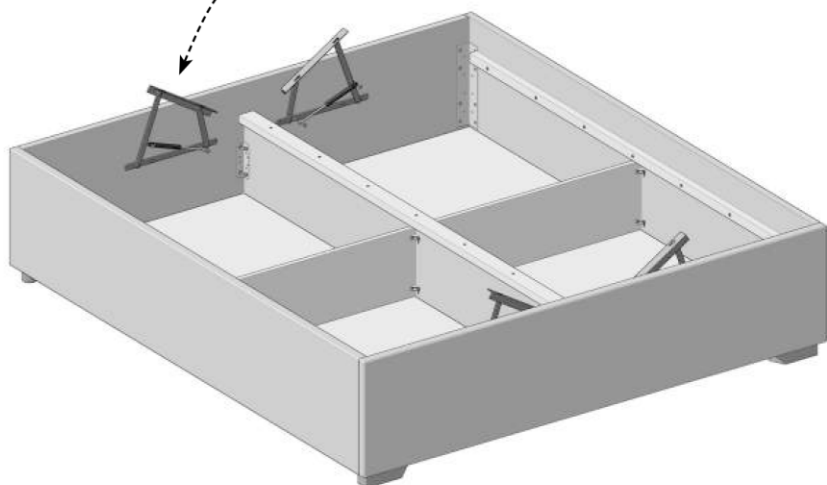
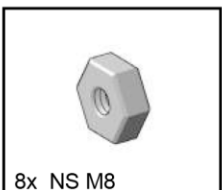
16



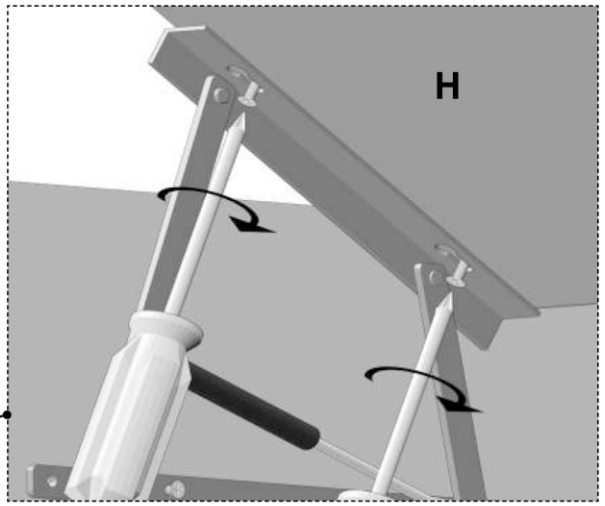
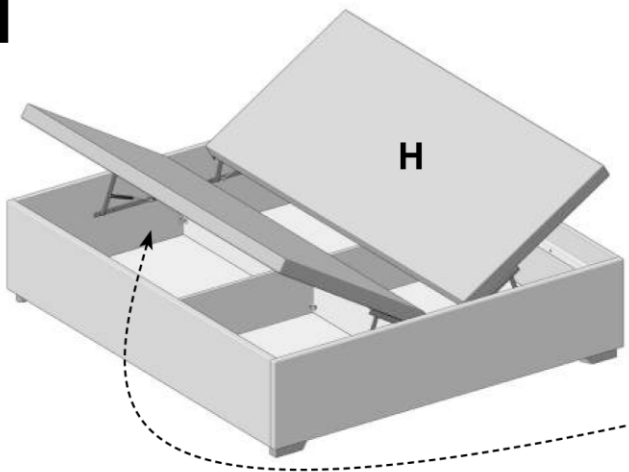
17



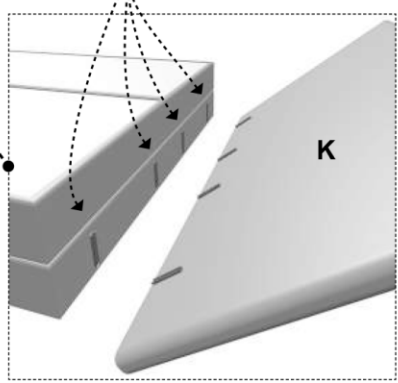
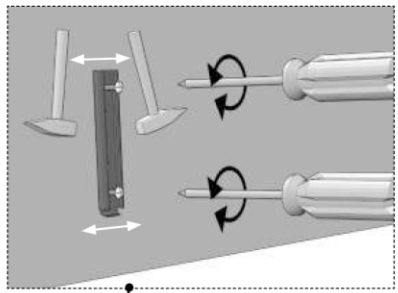
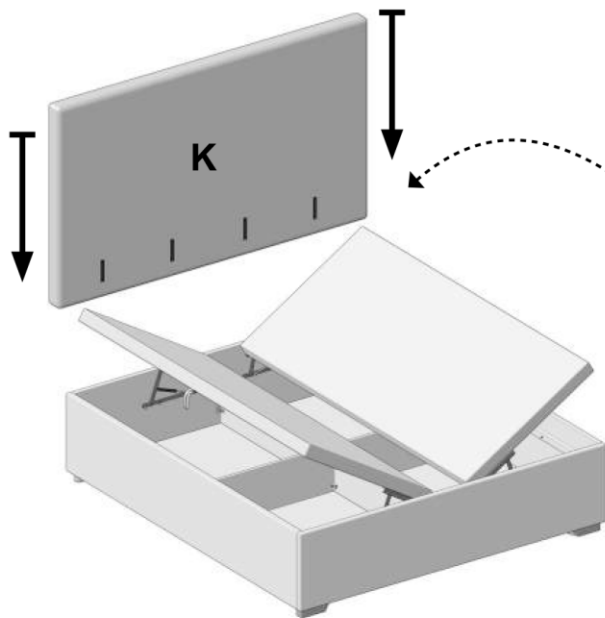
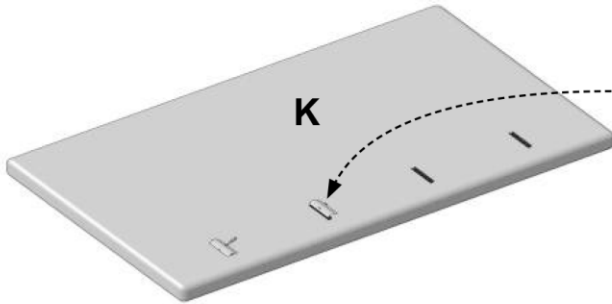
18



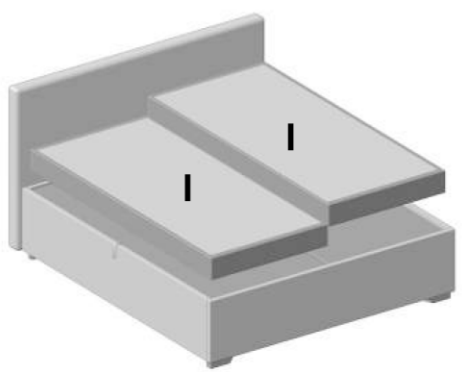
19



20



21



22

